

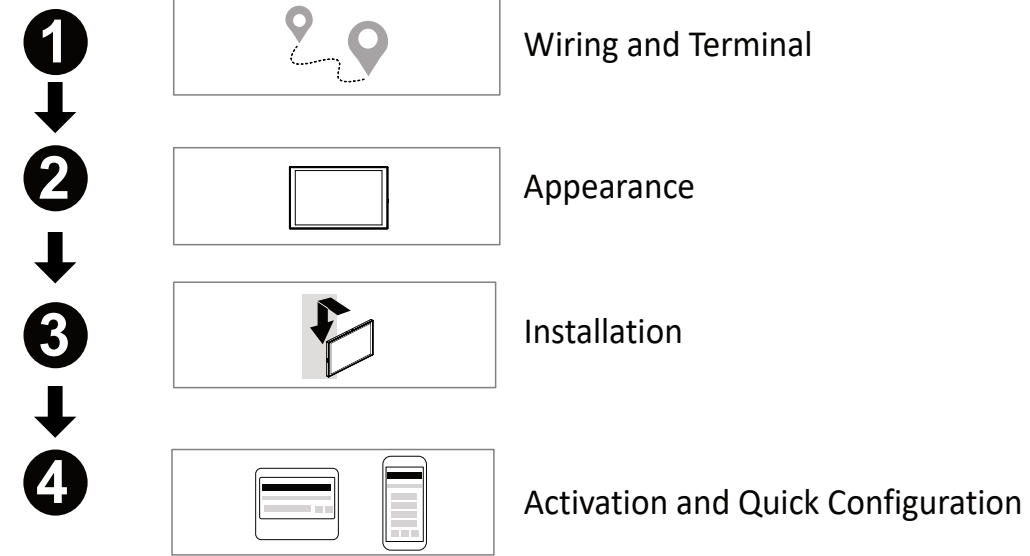


Scenario Control Panel and Indoor Station

Quick Start Guide

UD45907B

Quick Flow Chart

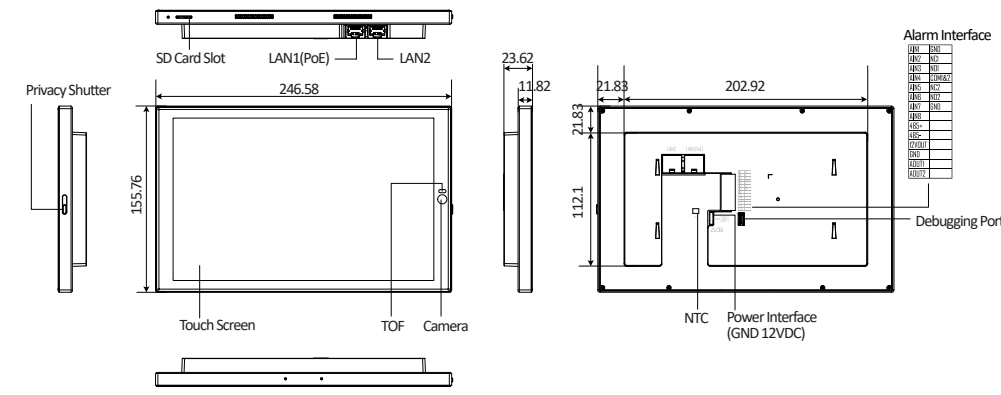


2 Appearance

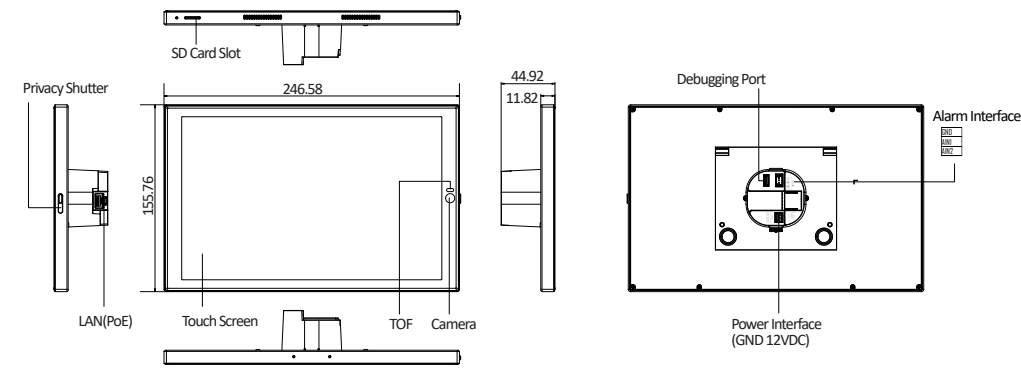
Unit: mm



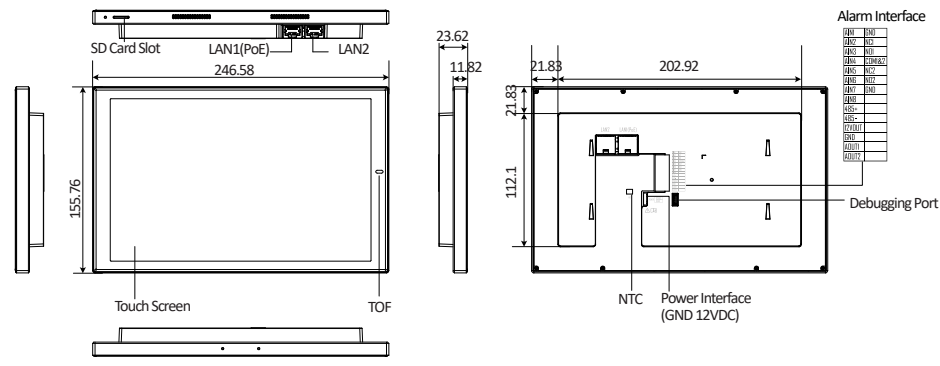
Model 1 2 LAN Model with Camera



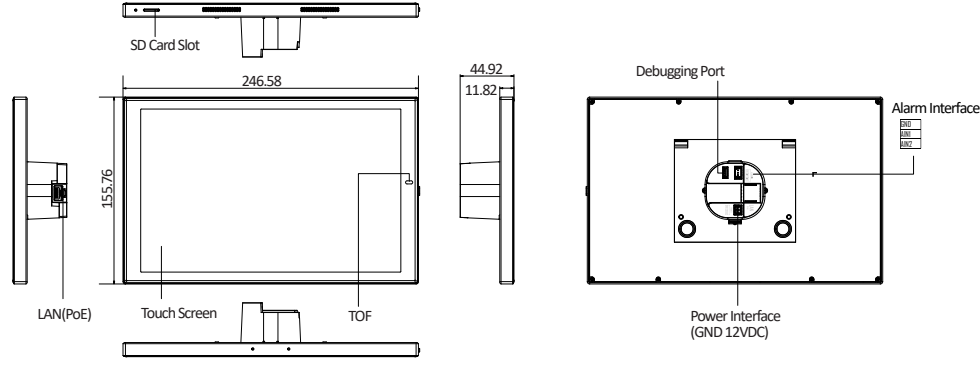
Model 4 Flush Mounting Model with Camera



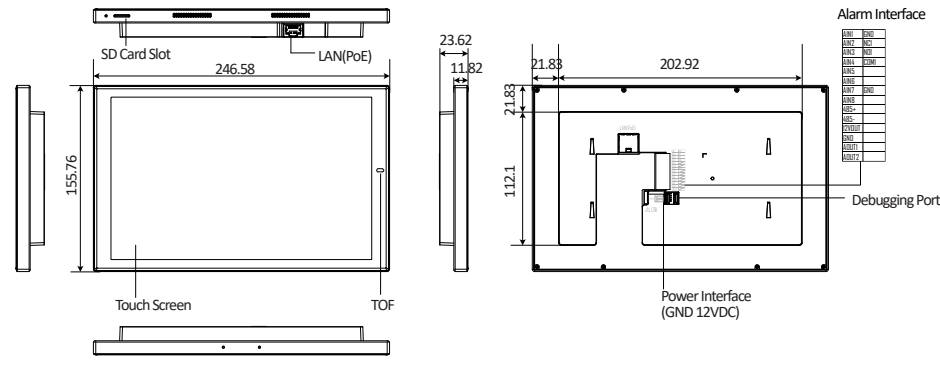
Model 2 2 LAN Model without Camera



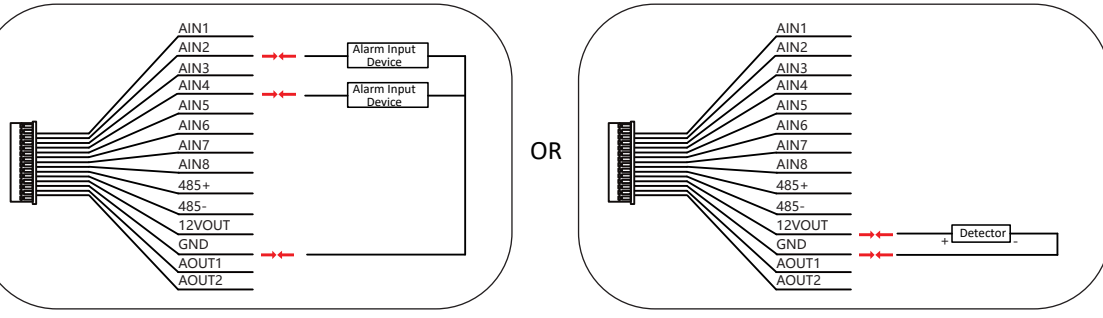
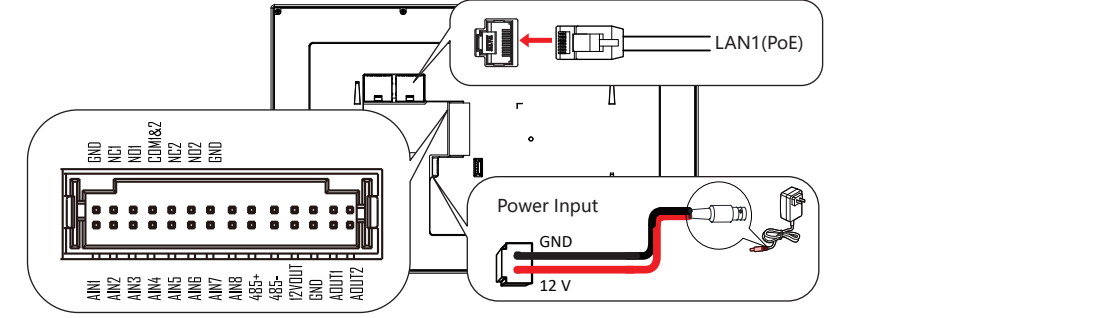
Model 5 Flush Mounting Model without Camera



Model 3 1 LAN Model



1 Wiring and Terminal



- Do not wire the device to the 220V electric supply directly.
- The device supports 12V DC power supply or standard PoE power supply. After connecting to standard PoE cable, there is no need to connect other power cord. If the cable connected is not standard PoE cable, you need to connect power cord to the device for power supply.
- The device only supports powering the detector when powered by standard PoE cable. The device supports 12V, 200mA (maximum 500mA) power supply for the detector.
- For the wiring between the panel/indoor station and third-party smart home device, please consult Hikvision for details.

About this Document

- This Document includes instructions for using and managing the Product. Pictures, charts, images and all other information hereinafter are for description and explanation only.
- The information contained in the Document is subject to change, without notice, due to firmware updates or other reasons. Please find the latest version of the Document at the Hikvision website (<https://www.hikvision.com>). Unless otherwise agreed, Hangzhou Hikvision Digital Technology Co., Ltd. or its affiliates (hereinafter referred to as "Hikvision") makes no warranties, express or implied.
- Please use the Document with the guidance and assistance of professionals trained in supporting the Product.

About this Product

This product can only enjoy the after-sales service support in the country or region where the purchase is made.

Acknowledgment of Intellectual Property Rights

- Hikvision owns the copyrights and/or patents related to the technology embodied in the Products described in this Document, which may include licenses obtained from third parties.
- Any part of the Document, including text, pictures, graphics, etc., belongs to Hikvision. No part of this Document may be excerpted, copied, translated, or modified in whole or in part by any means without written permission.
- HIKVISION and other Hikvision's trademarks and logos are the properties of Hikvision in various jurisdictions.
- Other trademarks and logos mentioned are the properties of their respective owners.

LEGAL DISCLAIMER

TO THE MAXIMUM EXTENT PERMITTED BY APPLICABLE LAW, THIS DOCUMENT AND THE PRODUCT DESCRIBED, WITH ITS HARDWARE, SOFTWARE AND FIRMWARE, ARE PROVIDED "AS IS" AND "WITH ALL FAULTS AND ERRORS". HIKVISION MAKES NO WARRANTIES, EXPRESS OR IMPLIED, INCLUDING WITHOUT LIMITATION, MERCHANTABILITY, SATISFACTORY QUALITY, OR FITNESS FOR A PARTICULAR PURPOSE. THE USE OF THE PRODUCT BY YOU IS AT YOUR OWN RISK. IN NO EVENT WILL HIKVISION BE LIABLE TO YOU FOR ANY SPECIAL, CONSEQUENTIAL, INCIDENTAL, OR INDIRECT DAMAGES, INCLUDING, AMONG OTHERS, DAMAGES FOR LOSS OF BUSINESS PROFITS, BUSINESS INTERRUPTION, OR LOSS OF DATA, CORRUPTION OF SYSTEMS, OR LOSS OF DOCUMENTATION, WHETHER BASED ON BREACH OF CONTRACT, TORT (INCLUDING NEGLIGENCE), PRODUCT LIABILITY, OR OTHERWISE, IN CONNECTION WITH THE USE OF THE PRODUCT, EVEN IF HIKVISION HAS BEEN ADVISED OF THE POSSIBILITY OF SUCH DAMAGES OR LOSS.

YOU ACKNOWLEDGE THAT THE NATURE OF THE INTERNET PROVIDES FOR INHERENT SECURITY RISKS, AND HIKVISION SHALL NOT TAKE ANY RESPONSIBILITIES FOR ABNORMAL OPERATION, PRIVACY LEAKAGE OR OTHER DAMAGES RESULTING FROM CYBER-ATTACK, HACKER ATTACK, VIRUS INFECTION, OR OTHER INTERNET SECURITY RISKS; HOWEVER, HIKVISION WILL PROVIDE TIMELY TECHNICAL SUPPORT IF REQUIRED.

YOU AGREE TO USE THIS PRODUCT IN COMPLIANCE WITH ALL APPLICABLE LAWS, AND YOU ARE SOLELY RESPONSIBLE FOR ENSURING THAT YOUR USE CONFORMS TO THE APPLICABLE LAW. ESPECIALLY, YOU ARE RESPONSIBLE, FOR USING THIS PRODUCT IN A MANNER THAT DOES NOT INFRINGE ON THE RIGHTS OF THIRD PARTIES, INCLUDING WITHOUT LIMITATION, RIGHTS OF PUBLICITY, INTELLECTUAL PROPERTY RIGHTS, OR DATA PROTECTION AND OTHER PRIVACY RIGHTS. YOU SHALL NOT USE THIS PRODUCT FOR ANY PROHIBITED END-USES, INCLUDING THE DEVELOPMENT OR PRODUCTION OF WEAPONS OF MASS DESTRUCTION, THE DEVELOPMENT OR PRODUCTION OF CHEMICAL OR BIOLOGICAL WEAPONS, ANY ACTIVITIES IN THE CONTEXT RELATED TO ANY NUCLEAR EXPLOSIVE OR UNSAFE NUCLEAR FUEL-CYCLE, OR IN SUPPORT OF HUMAN RIGHTS ABUSES.

IN THE EVENT OF ANY CONFLICTS BETWEEN THIS DOCUMENT AND THE APPLICABLE LAW, THE LATTER PREVAILS.

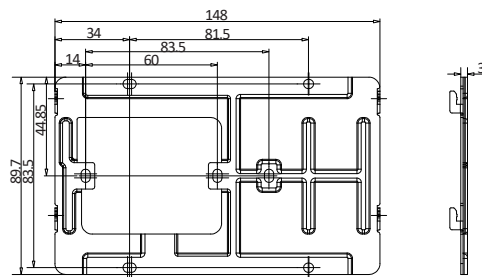
2 Appearance



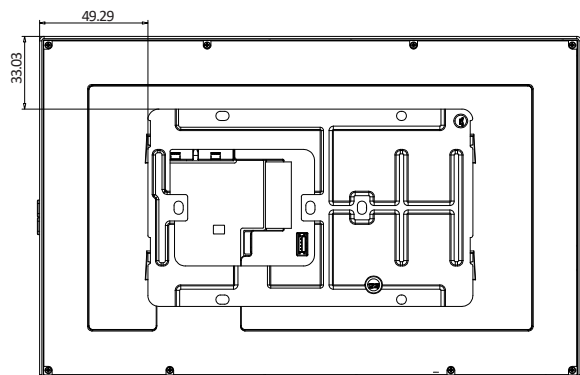
Unit: mm

Different models may support different mounting plates, please refer to your actual device.

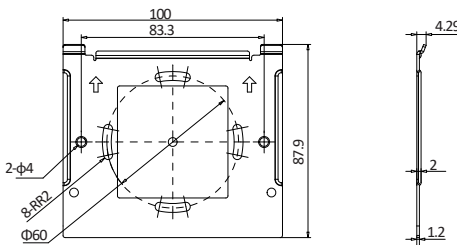
Mounting Plate (Suitable for Model 1, Model 2, Model 3)



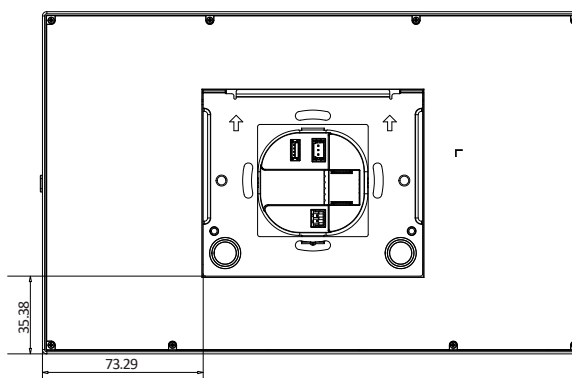
Relative Position



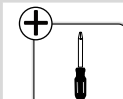
Mounting Plate (Suitable for Model 4, Model 5)



Relative Position



3 Installation

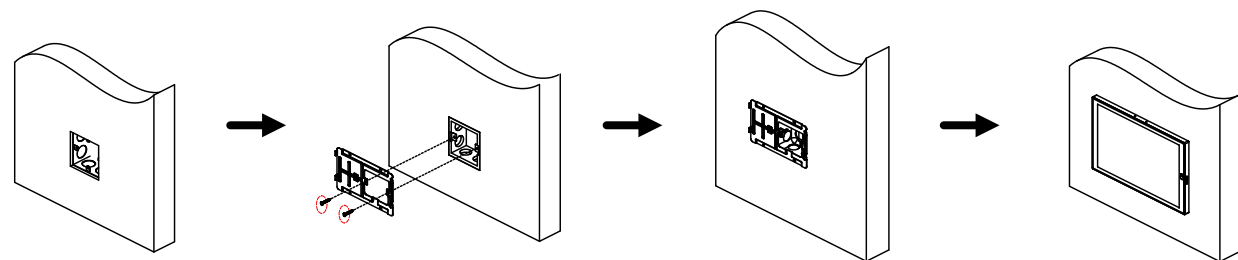


The mounting methods and procedures are the same for some models. Here uses one as an example.

Mounting with Gang Box (Suitable for Model 1, Model 2, Model 3)



- When performing construction or renovation, it is necessary to protect the device's base.
- This product does not include a gang box in the packaging. Please prepare your own gang box or purchase one from the local market.

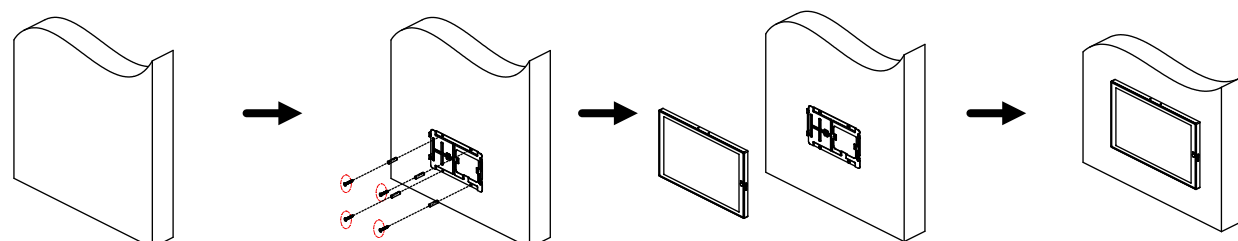


1. Carefully align the installation holes of the mounting plate with the holes of the gang box to ensure proper positioning.
2. Fix the mounting plate to the wall using 2 pieces SC-KA4X25 screws.
3. Make sure the cables are connected properly. Align the mounting holes on the back of the device with the mounting plate, and hang the device onto the plate from top to bottom.
4. Finished.

Surface Mounting (Suitable for Model 1, Model 2, Model 3)



When performing construction or renovation, it is necessary to protect the device's base.

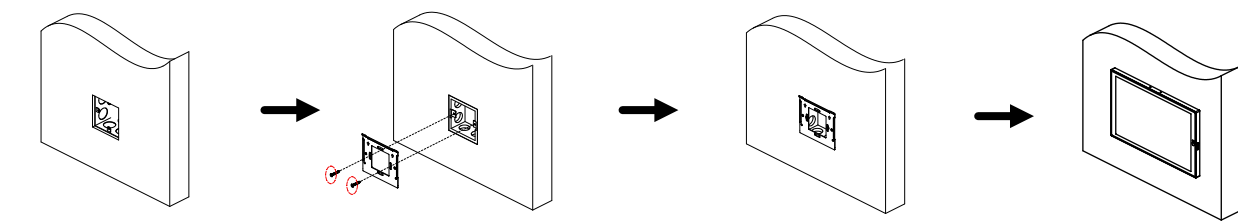


1. Insert the expansion screws into the pre-drilled holes in the wall. Carefully drive the expansion screws into the wall until they are fully seated and secure. Align the mounting plate with the embedded expansion screws.
2. Secure the mounting plate to the wall using 4 pieces KA4X25 screws.
3. Make sure the cables are connected properly. Align the mounting holes on the back of the device with the mounting plate, and hang the device onto the plate from top to bottom.
4. Finished.

Mounting with Gang Box (Suitable for Model 4, Model 5)



When performing construction or renovation, it is necessary to protect the device's base.



1. Carefully align the installation holes of the mounting plate with the holes of the gang box to ensure proper positioning.
2. Fix the mounting plate to the wall using 2 pieces SC-KA4X25 screws.
3. Make sure the cables are connected properly. Tilt the upper part of the device toward the wall, first secure the clips of the mounting plate into the holes on the rear shell, then push the lower part to allow the magnets on the rear shell to attach to the mounting plate.
4. Finished.

4 Activation and Quick Configuration



1 Activation

You are required to activate the device first by setting a strong password before you can use the device.

1. Power on the device. It will enter the activation page automatically.
2. Create a password and confirm it.
3. Tap OK to activate the indoor station.

2 Quick Configuration

1. Choose Language and tap Next.
2. Set password reset method and tap Next.
 - Enter the Reserved Email address, then you can reset the password by email.
 - Note: On the security questions settings page, you can tap Change to Reserved Email to modify the password reset method.**
 - Tap Change to Security Question. Select 3 security questions from Deficiency List and enter the answers of the questions, then you can reset the password by answering security questions.
3. (Optional) Set Lock Screen Password and tap Next.
4. (Optional) Tap to take a photo for face collection. Then tap Next.
5. Set network parameters and tap Next.
 - Edit Local IP, Subnet Mask and Gateway parameters.
 - Enable DHCP, the device will get network parameters automatically.
6. Configure the indoor station and tap Next.
 - a. Select Indoor Station Type.
 - b. Edit Floor No., Room No., Building No. Etc.
 - b. Linked related devices and tap Next. If the device and the indoor station extension are in the same LAN, the device will be displayed in the list. Tap the device or enter the serial No. to link.
 - a. Slide to enable Link to Indoor Extension.
 - b. Tap the indoor extension in the list to link.
8. Linked related devices and tap Next. If the device and the door station are in the same LAN, the device will be displayed in the list. Tap the device or enter the serial No. to link.
 - a. Tap the door station in the list to link.
 - b. Tap the settings icon to pop up the Network Settings page.
 - c. Edit the network parameters of the door station manually or enable DHCP to get the network parameters automatically.
 - d. Tap OK to save the settings.
9. (Optional) Slide to enable Cloud Service. Enter verification code and scan QR code to download Hik-Connect.
10. Tap Finish to save the settings.



The scenario control panel is a kind of indoor station.

Scan to get the User Manual for detailed information.



If a power adapter is provided in the device package, use the provided adapter only. If no power adapter is provided, ensure the power adapter or other power supply complies with Limited Power Source. Refer to the product label for the power supply output parameters.

Если адаптер питания входит в комплект поставки устройства, используйте только прилагаемый адаптер. Если адаптер питания не входит в комплект поставки, убедитесь, что используемый вами адаптер питания или источник питания соответствует требованиям к ограничению мощности. Выходные параметры источника питания указаны на его паспортной табличке.

Amennyiben a készülék csomagja tartalmaz hálózati adaptert, kizárólag a mellékelt adaptert használja. Ha a csomag nem tartalmaz hálózati adaptert, bizonyosodjon meg, hogy a használt hálózati adapter vagy más tápegység megfelelnek a korlátozott áramforrásokra vonatkozó előírásoknak. A tápegység teljesítményének paramétereit a termék címkéjén találhatók.

Wenn im Lieferumfang des Geräts ein Netzteil enthalten ist, verwenden Sie nur das mitgelieferte Netzteil. Wenn kein Netzteil mitgeliefert wird, stellen Sie sicher, dass das Netzteil oder eine andere Stromversorgung den Anforderungen an eine Stromquelle mit begrenzter Leistung entspricht. Die Ausgangsparameter des Netzteils sind auf dem Produktaufkleber angegeben.

Utilizzare solo l'alimentatore in dotazione, se incluso nella confezione del dispositivo. Se l'alimentatore non è incluso, accertarsi di utilizzare un modello conforme allo standard sulle fonti di alimentazione limitate. Consultare l'etichetta del prodotto per i parametri dell'uscita di alimentazione.

Pokud je v balení zařízení dodán napájecí adaptér, používejte pouze dodaný adaptér. Pokud není napájecí adaptér dodán, zajistěte, aby napájecí adaptér nebo jiný napájecí zdroj vyhovoval požadavkům na omezený zdroj napájení. Parametry výstupu napájení viz štítek výrobku.

Ak bolo zariadenie dodané s napájacím adaptérom, použite iba dodaný adaptér. Ak napájací adaptér nie je dodaný, uistite sa, že napájací adaptér alebo iný zdroj napájania vyhovuje obmedzenému zdroju napájania. Parametre výstupu napájacieho zdroja nájdete na štítku produktu.

Si un adaptateur secteur est fourni dans l'emballage de l'appareil, n'utilisez que l'adaptateur fourni. Si aucun adaptateur secteur n'est fourni, assurez-vous que l'adaptateur secteur ou toute autre source d'alimentation est conforme à la source d'alimentation limitée. Reportez-vous à l'étiquette du produit pour connaître les paramètres de sortie de l'alimentation.

Jeżeli w pakiecie z urządzeniem dostarczony jest zasilacz, należy używać wyłącznie tego zasilacza. Jeżeli zasilacz nie jest dostarczony w pakiecie z urządzeniem, należy używać zasilacza zgodnego z wymaganiami dotyczącymi źródeł zasilania z własnym ograniczeniem (LPS, Limited Power Source). Informacje dotyczące wymaganego zasilania podano na etykiecie produktu.

Als een voedingsadapter in de verpakking van het apparaat is geleverd, mag u alleen deze adapter gebruiken. Als er geen voedingsadapter is meegeleverd, moet u ervoor zorgen dat de voedingsadapter of een andere stroombron voldoet aan de Beperkte voedingsbron. Raadpleeg het productlabel voor de parameters voor de stroomuitvoer.

Se a embalagem do dispositivo incluir um adaptador de alimentação, utilize apenas o adaptador fornecido. Se não for fornecido um adaptador, certifique-se de que o adaptador de alimentação ou qualquer outra fonte de alimentação está em conformidade com a Fonte de Alimentação Limitada. Consulte a etiqueta do produto para obter os parâmetros nominais da fonte de alimentação.

Si el paquete del dispositivo incluye un adaptador de corriente, utilice únicamente el adaptador suministrado. Si no se suministra un adaptador de corriente, asegúrese de que el adaptador de corriente u otra fuente de alimentación que utilice cumple con el límite de la fuente de alimentación. Consulte la etiqueta del producto para conocer los parámetros de salida de la fuente de alimentación.

Dacă dispozitivul se furnizează cu un adaptor de alimentare, utilizați-l numai pe acesta. Dacă nu se furnizează niciun adaptor de alimentare, asigurați-vă că adaptorul sau o altă alimentare electrică este compatibilă cu sursa de alimentare limitată. Pentru parametrii de ieșire ai alimentării electrice, consultați eticheta produsului.

Hvis en strømadapter følger med i enhedens pakke, må du kun bruge den medfølgende adapter. Hvis der ikke medfølger en strømadapter, skal du sikre, at strømadapteren eller en anden strømforsyning overholder LPS (Limited Power Source). Find strømforsyningens udgangsparametre i produktets mærkat.

Cihaz paketinde bir güç adaptörü varsa, sadece verilen adaptörü kullanın. Güç adaptörü verilmediyse, güç adaptörünün veya diğer güç kaynağının Sınırlı Güç Kaynağı ile uyumlu olduğundan emin olun. Güç kaynağı çıkış parametreleri için ürün etiketine bakın.

في حال توفر محول طاقة في عبوة الجهاز، استخدم المحول المرفق فقط في حال عدم توفر محول طاقة، تأكد من توافق محول الطاقة أو مصدر الطاقة الأخر مع مصدر الطاقة المحدود. راجع ملصق المنتج للاطلاع على معلمات خرج مصدر الطاقة.

Якщо блок живлення входить у комплект поставки, використовуйте тільки наданий блок живлення. Якщо блок живлення не входить у комплект поставки, переконайтеся, що блок живлення або інше джерело живлення відповідає вимогам до джерел живлення обмеженої потужності. Вимоги до вихідних параметрів джерела живлення див. на етикетці виробу.

Jika adaptor daya disediakan dalam kemasan perangkat, hanya gunakan adaptor yang disediakan. Jika adaptor daya tidak disediakan, pastikan adaptor daya atau catu daya lain sesuai dengan Sumber Daya Terbatas. Lihat label produk untuk parameter output catu daya.

တိရိယာ ထုပ်ပိုးမှုတွင် ပါဝင် အခတ်ပတာ ထည့်သွင်းပါရှိပါက၊ ဝေးထောင့်သော အခတ်ပတာကိုသာ အသုံးပြုပါ။ ပါဝင် အခတ်ပတာ ပါရှိခြင်းမရှိပါက၊ ပါဝင်ခြင်းဖြစ် ကန့်သတ်မှုနှင့် ကိုက်ညီသော ပါဝင် အခတ်ပတာ သို့မဟုတ် အခြား ပါဝင်အသုံးပြုမှုများကို သုံးစွဲရန် ဝန်ဆောင်မှု ပါဝင်ပေးသွင်းမှု အတွက် ကန့်သတ်ချက်များအတွက် ထုတ်ကုန်တွင် ချောထားထားချက်ကို ကိုးကားပါ။